

ComGro Tree Stand Components & Installation Instructions

ITEM	DESCRIPTION	QUANTITY
1	ComGro Tree Stand Base	1
2	ComGro Black Locking Key	4
3	ComGro Stand Bolt	4
4	ComGro Stand Nut	4

How to install the components

1. Place the black Locking 'Key' into the stand, ensuring the smooth side is facing inwards. See image 'B' below to identify the smooth side. Failure to place smooth side facing inwards will cause the thread to not engage correctly.
2. Place the **Bolt** through the 'Base' hole, then through the lower non-threaded hole on 'Key' (seen in image 'C' below). Finally continue threading **Bolt** through the last hole in stand until it has been passed through into the open area of the stand.
3. Attach '**Nuts**' to end of thread. These **nuts** are designed to sit on the end of the thread to avoid the bolts penetrating the tree trunk.

Note: The lower hole in key will allow the bolt to move freely. When bolt is in the upper hole of key the thread is engaged.

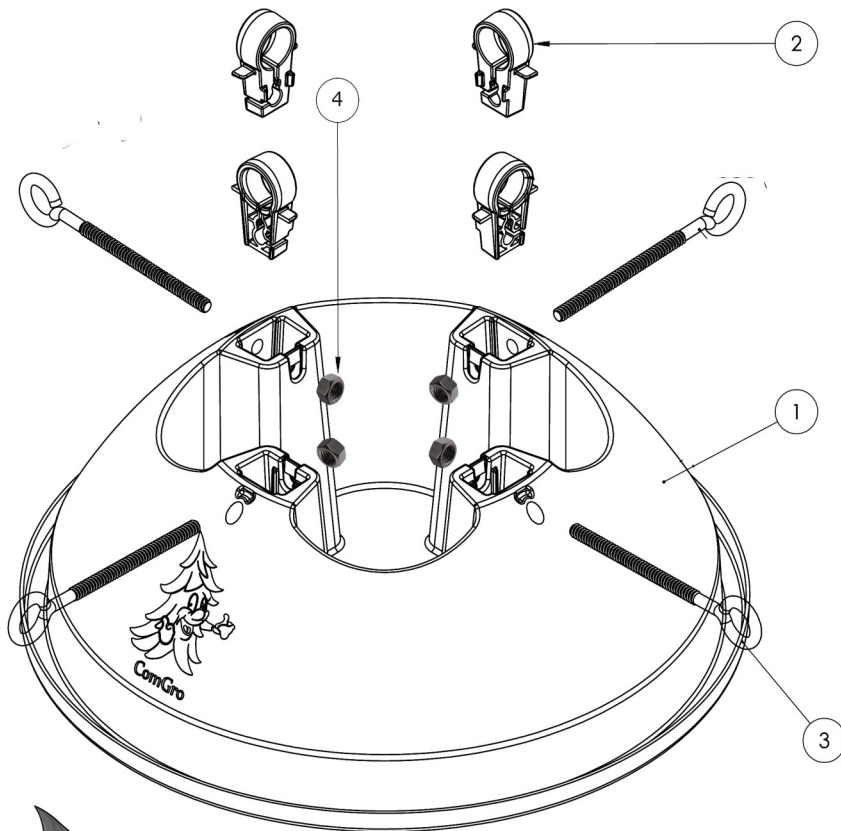


Image 'B'

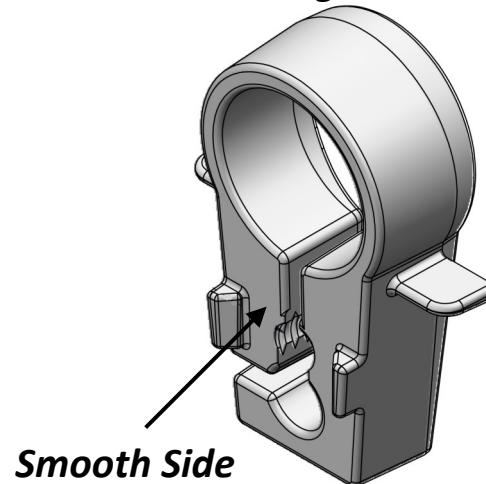
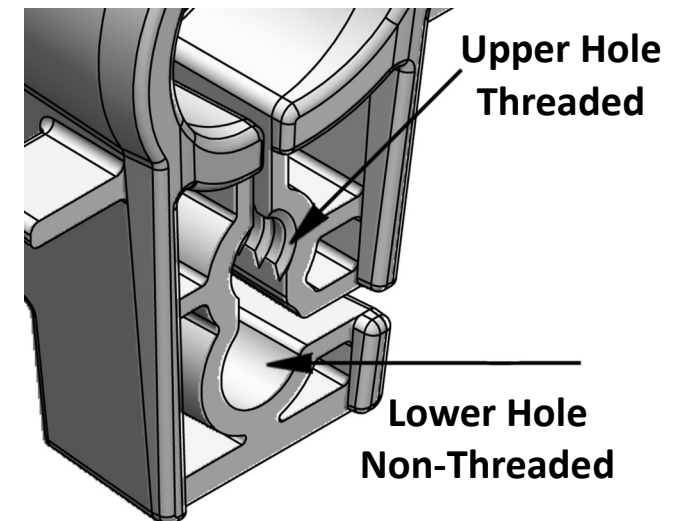


Image 'C'



ComGro Tree Stand User Guide

Installing Tree

1. Ensure the stand and all its components are assembled as per instructions on reverse page
2. With the **bolt** fully retracted, press the '**key**' down so the thread becomes engaged
3. Place tree in centre of stand and have someone hold it upright for you.
(Do not drop the tree into the base as excessive force may weaken the base)
4. Press the **bolts** firmly towards the tree until the '**nut**' connects with tree trunk. The **Key** is designed for the bolt to push through this way, even when the thread is engaged
5. Once all 4 **nuts** are touching the tree, turn the **bolts** clockwise to finish securing tree. This should only take a few turns
6. Fill stand with water and ensure it is topped up regularly.

Removing Tree

1. Loosen bolts by turning them counter-clockwise until pressure is relieved between bolt and tree trunk.
2. Lift '**Key**' upwards to disengage thread (see image '**C**' to visualise)
3. Retract **bolts** fully and remove tree

NOTE: Failure to loosen bolts before lifting key may result in damage to the key and its thread

Tree Care

The first important step to tree care is to remove 20-30mm off the bottom of the Christmas tree trunk. Once the tree is cut fresh at the tree farm, the sap immediately begins sealing over the base, and hinders its ability to absorb water.

Once you have re-cut 20-30mm off the stump it is important to place the tree in the stand immediately add water
The base of the cut tree should never dry out, in order to keep the needles fresher.

A typical tree might absorb a litre of water for each 20mm of its stump diameter per day. This means water needs to be topped up regularly



ComGro

Visit www.comgro.co.nz for video demonstration of above, or feedback on this stand.